

DRAWING TITLE:
Path Section

PROJECT:
Part VIII
Construction of a path
from the
Sports Grounds at
Monaduff to
the village of
Ballinamuck.

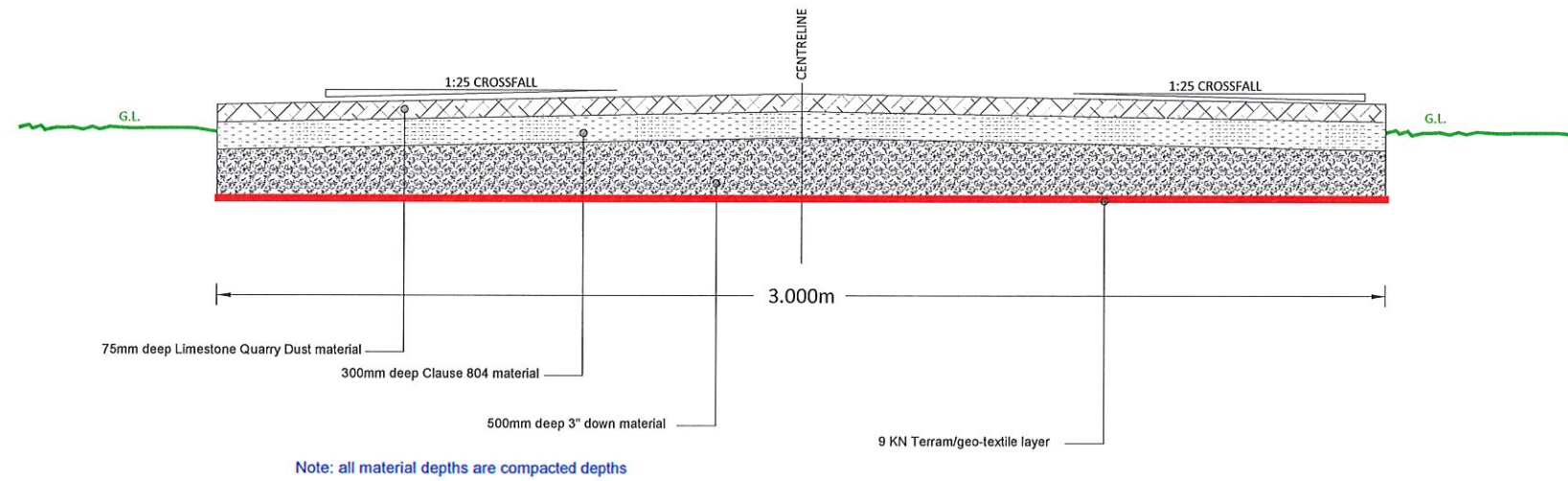
DRAWING NUMBER:
NLG19-07

ISSUE DATE:
November 2019

SCALE @ A3:
1:20

DRAWN BY:
RS

CHECKED BY:
BR



AUTHORITY:

DRAWING TITLE:
Bridge Elevation

PROJECT:
Part VIII
Construction of a path
from the
Sports Grounds at
Monaduff to
the village of
Ballinamuck.

DRAWING NUMBER:
NLG19-08

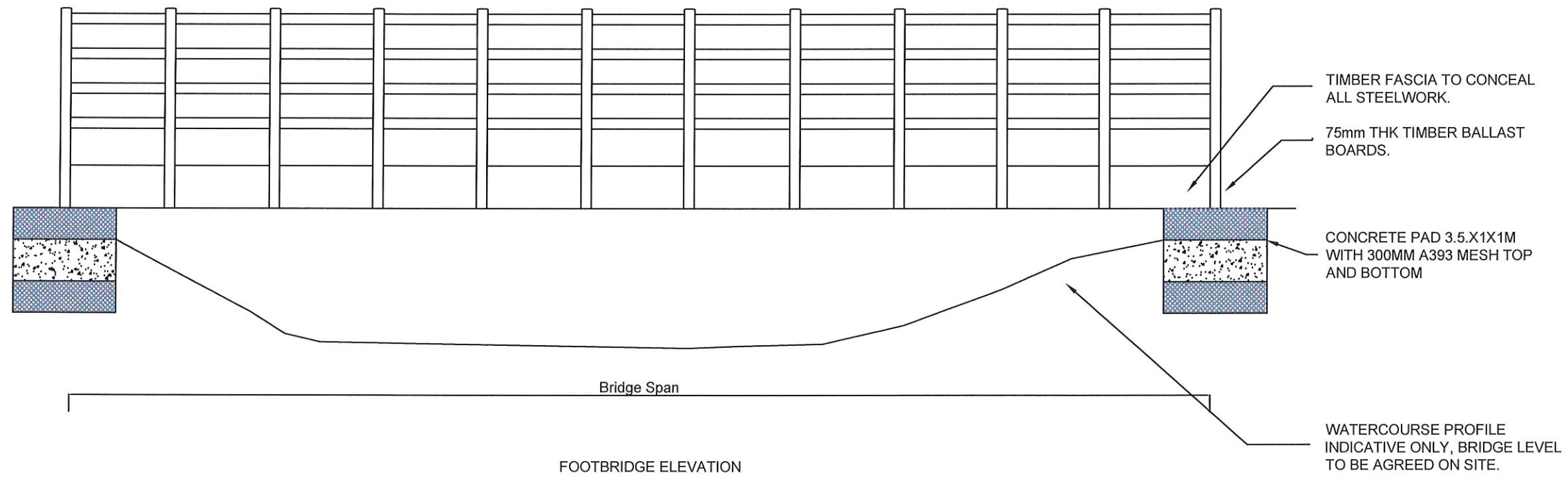
ISSUE DATE:
November 2019

SCALE @ A3:
1:50

DRAWN BY:
RS

CHECKED BY:
BR

AUTHORITY:



DRAWING TITLE:
Bridge Elevation

PROJECT:
Part VIII
Construction of a path
from the
Sports Grounds at
Monaduff to
the village of
Ballinamuck.

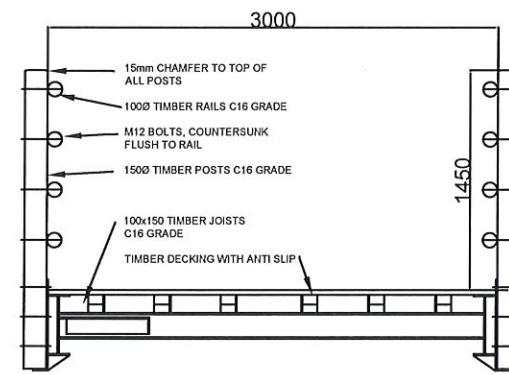
DRAWING NUMBER:
NLG19-09

ISSUE DATE:
November 2019

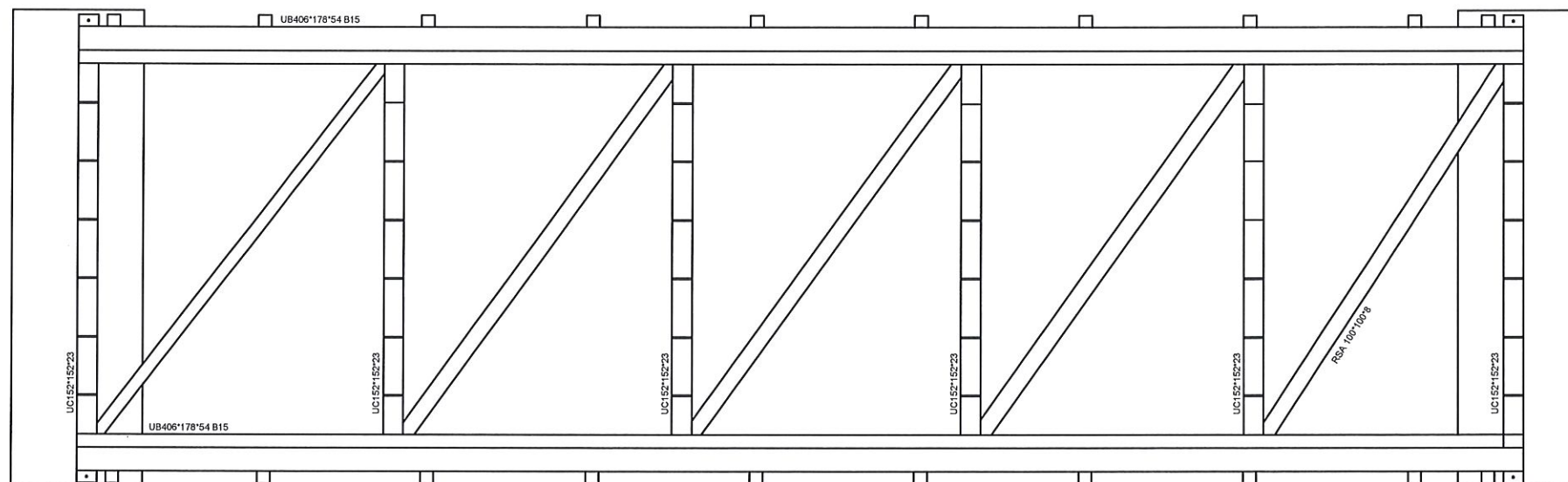
SCALE @ A3:
1:50

DRAWN BY:
RS

CHECKED BY:
BR



TYPICAL SECTION



CLEAR SPAN PLAN

AUTHORITY:

DRAWING TITLE:
Bridge Elevation

PROJECT:
Part VIII
Construction of a path
from the
Sports Grounds at
Monaduff to
the village of
Ballinamuck.

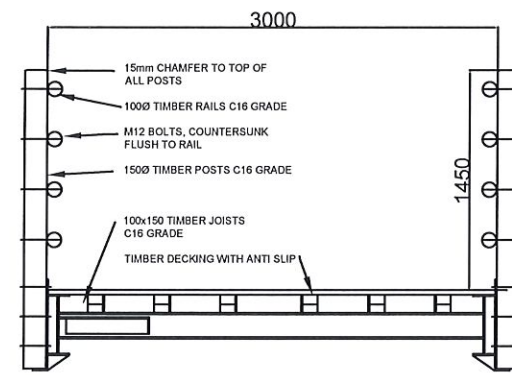
DRAWING NUMBER:
NLG19-09

ISSUE DATE:
November 2019

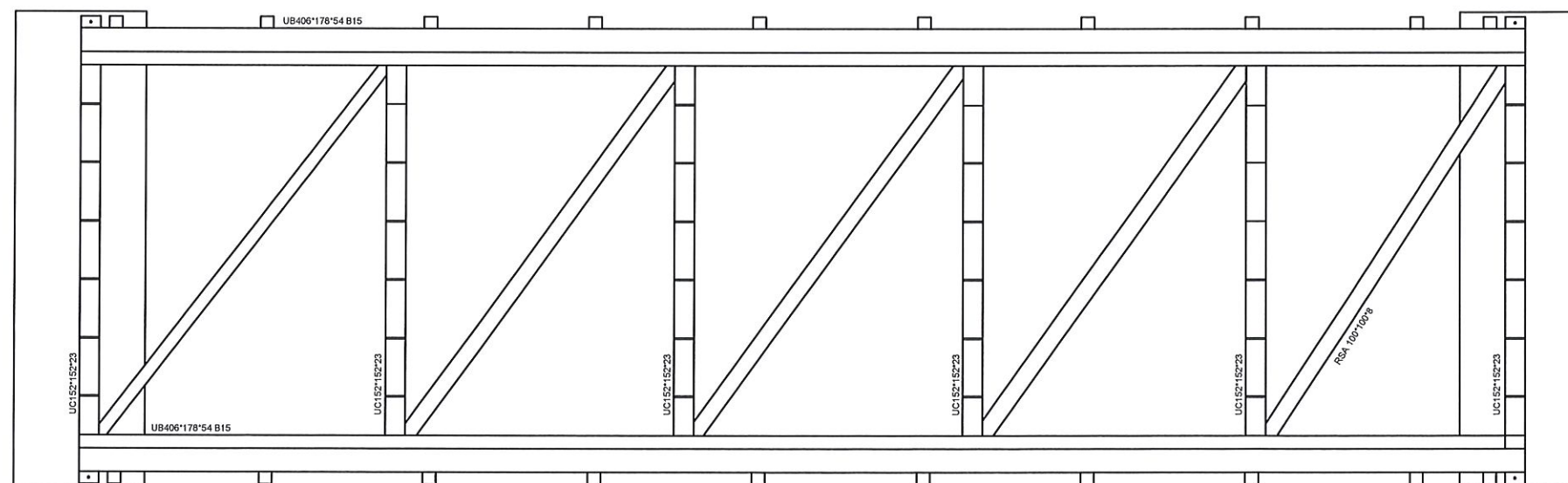
SCALE @ A3:
1:50

DRAWN BY:
RS

CHECKED BY:
BR

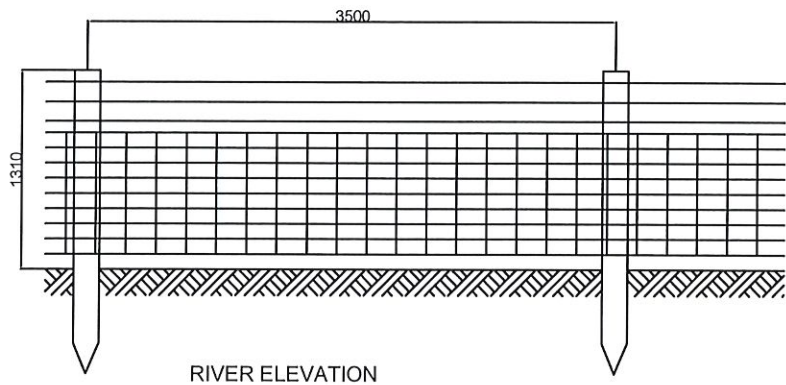


TYPICAL SECTION



CLEAR SPAN PLAN

AUTHORITY:

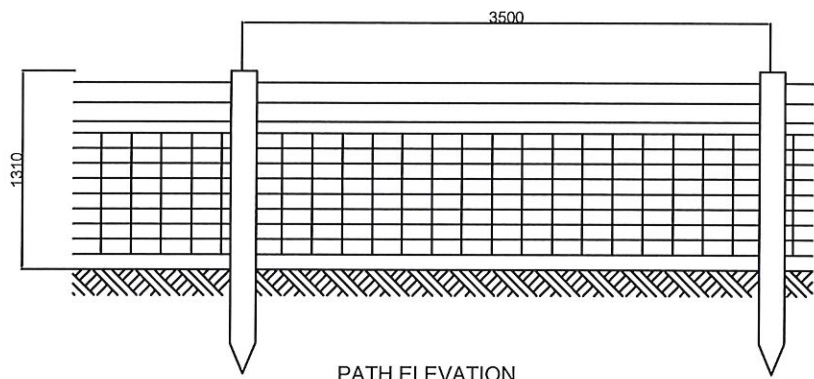


3 ROWS GALVANISED BULL WIRE
FIXED TO 150MM DIA. TREATED OCTOPOSTS WITH 38MM
STAPLES.
STAPLES TO BE ANGLED AND NOT HAMMERED FULLY HOME
TO ALLOW WIRES TO MOVE

WOVEN WIRE MESH MEDIUM GRADE C8/90/30 TO BE CLIPPED
TO UPPER AND MID-LINE SUPPORT WIRES AND STAPLED TO
POST WITH 38MM ANGLED STAPLES BS4102: 1998

GROUND LEVEL

RIVER ELEVATION



PATH ELEVATION

Notes:
ALL DIMENSIONS IN MILLIMETRES UNLESS NOTED OTHERWISE
THIS DRAWING TO BE READ IN CONJUNCTION WITH THE SPECIFICATION AND ALL OTHER
RELEVANT MATERIAL
MATERIAL STRENGTHS SHALL BE AS FOLLOWS:
CONCRETE: GRADE C40N/mm²
STEEL FY:460N/mm
UNLESS NOTED OTHERWISE
DO NOT SCALE OFF THIS DRAWING, USE DIMENSIONS GIVEN THE CONTRACTOR SHALL
CHECK ALL DIMENSIONS PRIOR TO CONSTRUCTION.
ALL TIMBER TO BE PRESSURE TREATED AND TANNALISED
STRAINING POSTS SHOULD BE BRACED BY ANGLED STRUT IS OFF TOP DIMAMETER 150MM
ROUND TIMBER, 1.9M LONG AND SECURED IN THE TOP THIRD OF THE STRAING POST WITH
A NOTCH AND NAIL JOINT 25MM DEEP, AT AN ANGLE OF NO GREATER THAN 45 DEGREES
AND RESTING ON A FIRM BASE PLATE.
ALL STAPLES TO BE GALVANISED AND TO APPROPRIATE DIMENSIONS AND SPECIFICATION
ALL ITEMS TO BS1722

DATE:

November 2019

DESCRIPTION:

Construction of a path from the
Sports Grounds at Monaduff to
to the village of Ballinamuck,
Co. Longford.

AUTHORITY:



SCALE @ A4:

1:50

DRAWING TITLE:

Fencing Elevation

Part VIII - Planning Purposes Only

Drawn By: RS

Checked By: GS